



3.5 TONNE TROLLEY JACK, CAR JACK, WITH SUPER ROCKET LIFT

MODEL NO: **3500CXD**

Thank you for purchasing a Sealey product. Manufactured to a high standard, this product will, if used according to these instructions, and properly maintained, give you years of trouble free performance.

IMPORTANT: PLEASE READ THESE INSTRUCTIONS CAREFULLY. NOTE THE SAFE OPERATIONAL REQUIREMENTS, WARNINGS & CAUTIONS. USE THE PRODUCT CORRECTLY AND WITH CARE FOR THE PURPOSE FOR WHICH IT IS INTENDED. FAILURE TO DO SO MAY CAUSE DAMAGE AND/OR PERSONAL INJURY AND WILL INVALIDATE THE WARRANTY. KEEP THESE INSTRUCTIONS SAFE FOR FUTURE USE.



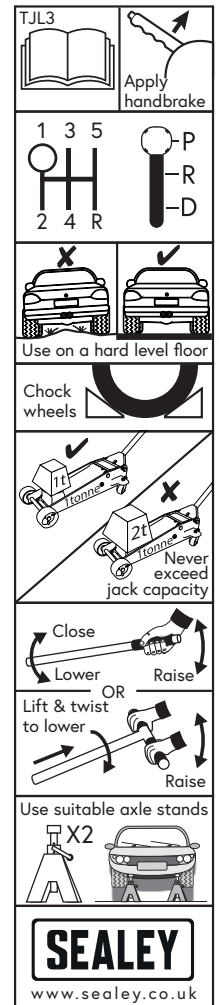
Refer to instructions



Wear safety footwear

1. SAFETY

- ❑ **WARNING!** Please note that the handle socket of this jack is retained under tension and must be released before use. Caution should be taken when releasing, as the handle socket will suddenly raise to its upright position if not controlled.
- ✓ The user shall work only in accordance with this instruction manual.
- ✓ The operator shall be provided with all necessary information about training and about pumping and translating forces.
- ✓ Ensure the jack is in sound condition and good working order. Take action for immediate repair or replacement of damaged parts. Use genuine parts only. **DO NOT** modify the jack. The use of non-genuine parts may be dangerous and will invalidate the warranty.
- ✓ Locate the jack in a suitable, well lit working area.
- ✓ Keep working area clean and tidy and free from unrelated materials. Use jack on level and solid ground, preferably concrete. Avoid tarmac/adam as jack may sink in.
- ✓ Chock wheels of vehicle.
- ✓ Ensure the vehicle handbrake is engaged, engine is switched off and transmission is in gear (or "PARK" if automatic).
- ✓ Ensure minimum distance of 0.5m between vehicle and static objects such as doors, walls, etc. to allow for vehicle tilting.
- ✓ Ensure all non-essential persons keep a safe distance whilst the jack is in use.
- ✓ Ensure there are no passengers in the vehicle.
- ✓ It is necessary that the operator can watch the lifting device and the load during all movements.
- ✓ Place jack under only those lifting points recommended by vehicle manufacturer (see vehicle handbook).
- ✓ Check that the lifting point is stable and centred on the jack saddle.
- ✓ Ensure the jack wheels are free to move and that there are no obstructions.
- ▲ **DANGER:** Use the jack for lifting only, NOT for supporting the lifted load.
- ✓ Ensure there are no persons or obstructions beneath the vehicle before lowering.
- ✓ It is not allowed to work under the raised load until it is secured by suitable means. Use suitable axle stands under the vehicle before proceeding with any task.
- ✓ Use a qualified person to lubricate and maintain the jack.
- ✓ Ensure that only hydraulic jack oil is used in the jack.
- * **DO NOT** operate the jack if damaged.
- * **DO NOT** allow untrained persons to operate the jack.
- * **DO NOT** operate the jack when tired or under the influence of drugs, alcohol or intoxicating medication.
- * **DO NOT** exceed the rated capacity of the jack.
- * **DO NOT** allow the vehicle to move during lifting or lowering, or use the jack to move the vehicle.
- * **DO NOT** jack vehicle if there is a risk of spillage of fuel, battery acid, or other dangerous substances.
- * **DO NOT** work under the vehicle until appropriately rated axle stands have been correctly positioned.
- * **DO NOT** use the jack for any purpose other than its intended use. This trolley jack is designed for lifting vehicles only. Never use it to lift a person, as this can result in serious injury or death. Always follow proper operating procedures and safety guidelines to ensure safe and reliable use.
- * **DO NOT** top up hydraulic system with brake fluid. Use hydraulic jack oil only. (Sealey Part No: HJO500MLS or HJO5LS)
- ✓ In the event of oil spillage ensure an oil spill kit is to hand. Consult Sealey website for Materials Safety Data Sheet for characteristics of fluids included with the product. Fire fighting procedure/equipment should be in accordance with the Materials Safety Data Sheet.
- * **DO NOT** adjust the safety overload valve.
- ✓ Lifting of persons is prohibited.
- * **DO NOT** use in severe weather conditions, risk assess the task.
- ✓ When not in use store jack, fully lowered, in a safe, dry, childproof area.
- ✓ If more than 400N of effort is generated in lifting, the efforts shall be lowered by an additional person.
- ✓ Jacks shall be maintained and repaired in accordance with the manufacturer's instructions. Such maintenance and repair shall be carried out by qualified persons.
- ✓ No modifications shall be carried out which adversely affect the compliance of the jack with the standard.
- ✓ Check the state of the markings and that the markings remain as the initial one.



- ✓ Lifetime of the jack: Manufactured to a high standard, this product will, if used according to these instructions, and properly maintained, give you years of trouble free performance.
- ✓ Jacks shall be maintained and repaired in accordance with the manufacturer's instructions. Such maintenance and repair shall be carried out by qualified persons.
- ✓ No modifications shall be carried out which adversely affect the compliance of the jack with the standard.
- ✓ Check the state of the markings and that the marking remain as the initial one.
- ✓ A trolley jack used in direct contact with food must be made of food-grade, non-toxic, smooth, and corrosion-resistant materials such as stainless steel, designed for easy cleaning and disinfection, and free from flaking, peeling, or contaminating substances, in compliance with food-contact regulations and hygiene standards.
- ✓ Sea ship operations face restrictions for safety, environmental protection, and legal compliance. Rules cover navigation, cargo handling, waste disposal, and can be limited by weather or port authority regulations.
- ❑ **WARNING!** Do not use a trolley jack in windy conditions, as strong winds can cause instability, leading to the vehicle slipping or the jack tipping over. Always use the jack on stable, level ground and in calm weather for safety.
- ✓ The centre of gravity of a trolley jack is positioned low and close to its base. This design keeps the jack stable while lifting loads, reducing the risk of tipping. As the lifting arm raises, the load's centre of gravity shifts upward, so it's important to place the jack on level, solid ground to maintain stability.
- ✓ A trolley jack should only be used on a firm, level, and stable surface that can support both the jack and the load without risk of shifting or sinking. The working environment must be clean, dry, and free from oil, grease, or debris to prevent slipping or instability. Adequate lighting and ventilation should be provided, and the jack should not be used in extreme temperatures or corrosive atmospheres that could damage its components. The area must allow enough space around the vehicle for safe positioning, operation, and removal of the jack without obstruction.

2. INTRODUCTION

Brings the lifting arm straight into contact with the jacking point. Minimum saddle height 130mm, maximum saddle height 465mm. Heavy-duty steel castor wheels and large saddle design for simple location under the vehicle. Protective sleeve on the jack handle helps prevent accidental damage to car bodywork. Fitted with overload valve to prevent lifting beyond rated capacity.

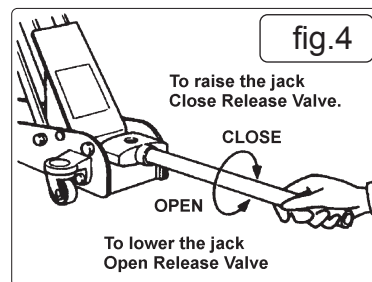
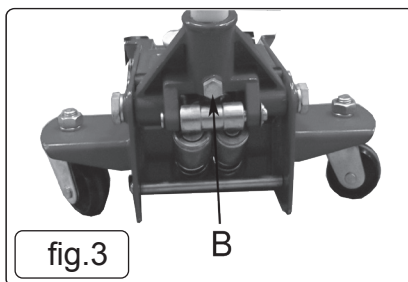
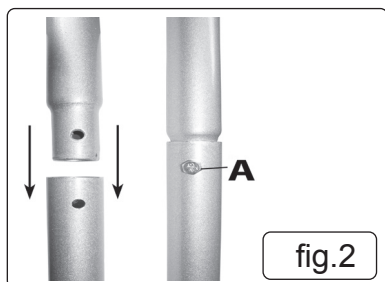
3. SPECIFICATION

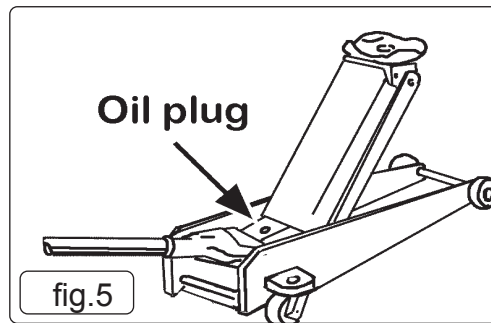
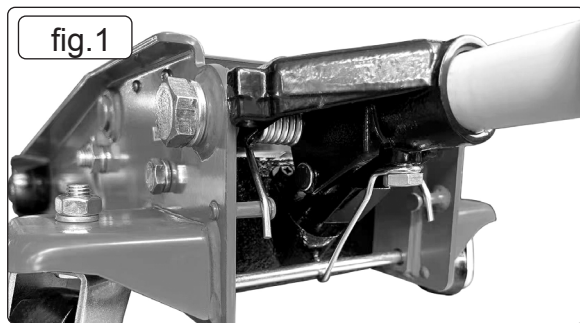
Model No:	3500CXD
Applicable Standards:	EN 1494:2000+A1
Capacity:	3.5 tonne
Length:	680mm
Maximum Chassis Height:	170mm

Maximum Chassis Height:	465mm
Maximum Saddle Height:	465mm
Minimum Saddle Height:	130mm
Nett Weight:	30.5kg

4. ASSEMBLY

- 4.1. The jack comprises the following parts Steel chassis. Two-part pumping handle (fig.2) with M6x35 bolt (fig.3).
- 4.2. Insert the upper handle into the lower handle. See fig. 2.
 - ❑ **WARNING!** Before inserting the pump handle into the handle socket see operating instructions in 5. Operation section.
 - ❑ **WARNING!** Please note that the handle socket of this jack is retained under tension and must be released before use. Caution should be taken when releasing, as the handle socket will suddenly raise to its upright position if not controlled.
- IMPORTANT:** Before use, the operator is to visually inspect the jack for cracked welds, damaged or missing parts or hydraulic leaks.
- 4.3. **RELEASING THE RETAINING CLIP (FIG.1 overleaf)**
 - 4.3.1. Seek assistance from a second person if required.
 - 4.3.2. Insert the lower handle section into the handle socket to aid in releasing pressure in the handle socket.
 - 4.3.3. Push down on the handle and hold down while unscrewing the handle retaining bolt that is securing the handle socket in the down position.
 - 4.3.4. Remove the clip from the bolt and the lower chassis bar.
 - 4.3.5. Gently and in a controlled manner slowly allow the lower handle section and handle socket to raise to their upright position.
 - 4.3.6. Replace the handle retaining bolt to secure the handle in the socket.
- 4.4. **HYDRAULIC SYSTEM PURGING**
 - 4.4.1. Open the release valve by turning it one full turn counter-clockwise. See fig.4.
 - 4.4.2. Pump the handle 20 times.
 - 4.4.3. Close the release valve by turning it clockwise. See fig.4.





5. OPERATION

5.1. RAISING A VEHICLE

- 5.1.1. Ensure that the jack and the vehicle are on a hard, level surface.
- 5.1.2. Ensure that the vehicle handbrake is engaged and that the vehicle wheels are chocked.
- 5.1.3. Consult the vehicle manual to determine the location of jacking points.
- 5.1.4. Position the jack under a suitable lifting point.
- 5.1.5. Turn the slow release valve clockwise, to the closed position. **DO NOT** over-tighten.
- 5.1.6. Raise the vehicle to the desired height by pumping the handle up and down.
- 5.1.7. Place axle stands beneath the locations recommended by the vehicle manufacturer.
- 5.1.8. Turn the release valve slowly counter-clockwise to lower the vehicle on to the axle stands.

5.2. LOWERING A VEHICLE

- 5.2.1. Turn the release valve clockwise to the closed position.
- 5.2.2. Pump the handle to raise the vehicle off the axle stands.
- 5.2.3. Remove the axle stands from beneath the vehicle.
- 5.2.4. Turn the release valve counter-clockwise to lower the vehicle to the ground.

NOTE: This jack is fitted with a slow release mechanism for controlled descent. When not in use, leave the saddle and ram fully retracted.

5.3. IN THE EVENT OF MALFUNCTION OR BREAKDOWN:

If the load fails to lower:

Use a functioning jack to raise the vehicle high enough to reinstall the axle stands.
Remove the malfunctioning jack, then remove the axle stands.

6. MAINTENANCE

IMPORTANT: Only fully qualified personnel should attempt maintenance or repair. Jacks shall be maintained and repaired in accordance with the manufacture's instructions. Such maintenance and repair shall be carried out by qualified persons. No modifications shall be carried out which adversely affect the compliance of the jack with the standard. Check the state of the markings and that the markings remain as the initial one.

- 6.3.1. Check the condition of the markings. These must be maintained in their original condition.
- 6.3.2. The trolley jack should be transported and handled carefully to prevent damage, contamination, or accidents: it must be moved on stable surfaces, using appropriate lifting techniques or equipment to avoid tipping or dropping, kept clean and free from grease or dirt that could contact food, and stored in a designated, dry, and hygienic area when not in use to ensure safety and maintain food-grade compliance.
- 6.3.3. When refilling the hydraulic system, the characteristics of the hydraulic fluid used in the jack and the level of hydraulic fluid as it is given by the manufacturer shall be observed.

6.1. MONTHLY MAINTENANCE

Lubrication is critical to jacks, since they support heavy loads. Any restriction due to dirt or rust can cause either slow jack movement, or extremely rapid jerks, causing damage to the internal components. To keep the jack well lubricated, carry out the following steps.

- 6.1.1. Lubricate the ram, the linkages and the saddle and pump mechanism with light oil.
- 6.1.2. Grease the wheel bearings and axles.
- 6.1.3. Keep all jack surfaces and warning labels clean.
- 6.1.4. Check and maintain the ram oil level (Section 6.3).

6.2. THREE MONTHLY MAINTENANCE

- 6.2.1. At three monthly intervals, check the ram for any signs of rust or corrosion. Clean the ram as required and wipe with an oil cloth.

6.3. CHECKING THE OIL LEVEL (fig.5)

- 6.3.1. Fully retract the ram by turning the release valve counter-clockwise.
- 6.3.2. Undo the four top plate retaining screws and remove the top plate.
- 6.3.3. With the jack in the level position, remove the oil filler plugs.
- 6.3.4. The oil should be level with the bottom of the oil filler hole. If it is not, top up with clean hydraulic jack oil (Sealey Part No: HJO500MLS or HJO5LS).
- 6.3.5. Replace the oil filler plug and check the jack operation.
- 6.3.6. Purge any air from the hydraulic unit as required. Refer to Section 5.2.
- 6.3.7. Replace the top plate and secure with the four screws.

- 6.3.8. **NOTE:** Always store the jack in the fully lowered position. This will protect critical areas from excessive corrosion.

□ **IMPORTANT:** NO RESPONSIBILITY IS ACCEPTED FOR INCORRECT USE OF THE product.

- 6.3.9. Owing to their size and weight, hydraulic products should ideally be repaired by local service agents. We have service / repair agents in most parts of the UK. Before returning your product please call our technical helpline on 01284 757505 for advice and trouble shooting guidance. If the jack is under guarantee please contact your stockist.

7. LIFE TIME OF THE JACK

- 7.3.1. With proper use and regular maintenance, this trolley jack will provide reliable service for many years.

7.1. DE-COMMISSIONING THE JACK

7.1.1. Should the jack become completely unserviceable and require disposal, draw off the oil into an approved container and dispose of the jack and the oil according to local regulations.

8. TROUBLESHOOTING

PROBLEM	CAUSE	REMEDY
Jack will not lift to full height	Oil Level Low	Check/Top up oil level
Jack will not hold the load	Release valve not closing	Contact authorised service agent
	Hydraulic jack oil is contaminated	
	Pump valves not sealing	
Lift arm will not lower	Cylinder ram binding	Contact authorised service agent
	Parts worn	
	Internal component damage	
	Broken or unhooked return spring	
	Lift arm linkage either bent or binding	
Jack feels spongy when lifting	System requires purging	Refer to air purge procedure in section 5
If the above does not solve the problem contact your local Service agent by checking www.sealey.co.uk		



ENVIRONMENT PROTECTION

Recycle unwanted materials instead of disposing of them as waste. All tools, accessories and packaging should be sorted, taken to a recycling centre and disposed of in a manner which is compatible with the environment. When the product becomes completely unserviceable and requires disposal, drain any fluids (if applicable) into approved containers and dispose of the product and fluids according to local regulations.



Note: It is our policy to continually improve products and as such we reserve the right to alter data, specifications and component parts without prior notice. Please note that other versions of this product are available. If you require documentation for alternative versions, please email or call our technical team on technical@sealey.co.uk or 01284 757505.

Important: No Liability is accepted for incorrect use of this product.

Warranty: Guarantee is 12 months from purchase date, proof of which is required for any claim.

Jack Sealey Ltd t/a Sealey Group, Kempson Way, Suffolk Business Park, Bury St Edmunds, Suffolk, IP32 7AR UK
Jack Sealey (EU) Ltd t/a Sealey Group, Farney Street, Carrickmacross, Co. Monaghan, A81 PK68 Ireland
Tel: 01284 757500 • **Email:** sales@sealey.co.uk • **Web:** www.sealey.co.uk